



### Guarantee

All our Batteries are fully guaranteed against premature failure caused by faulty manufacture or materials if fitted as specified.

It does not cover:

- The use of a battery of a lower performance than that recommended by the Company.
- The use of a battery for any traction application.
- The replacement of batteries damaged by accident, neglect or misuse.
- The introduction of any impurity or additive to the battery.

## 6 VOLT BATTERY DIMENSIONS

	Battery No	20hr	INCHES			MILLIMETRES			Terminal	Container	Layout
			L	W	TH	L	W	TH			
O	311LFE	58	7.5	6.8	7.6	189	172	193	B	N	AO
O	311LBH	58	8.9	7.0	7.6	226	179	193	B	N	OR
Please note 311LBH is the same battery as a 311LFE but is supplied with a frame fitting round the top of the battery with holes at each end for stud and nut fixing.											
O	421	57	6.7	6.9	8.6	169	174	218	B	N	AO
O	421/11	65	"	"	"	"	"	"	"	"	"
O	421/13	70	"	"	"	"	"	"	"	"	"
O	404	70	8.5	6.7	7.2	216	171	183	B	B6	AO
O	404/19	90	"	"	"	"	"	"	"	"	"
O	451	180	15.9	6.6	8.6	412	175	224	B	N	A1
O	501	85	8.8	6.8	8.5	224	173	215	B	N	AO
O	501/17	116	"	"	"	"	"	"	"	"	"
O	511	100	10.2	6.7	9.0	257	172	228	B	N	AO
O	511/21	144	"	"	"	"	"	"	"	"	"
O	511/V8/21	130	10.2	6.7	7.7	257	171	196	B	N	AO
O	521	116	11.5	6.8	8.6	291	173	219	B	N	AO
O	521/21	144	"	"	"	"	"	"	"	"	"
O	531	130	12.5	6.9	8.8	318	175	224	B	N	AO
O	531/21	144	"	"	"	"	"	"	"	"	"
O	541	144	13.7	6.9	8.8	348	175	224	B	N	AO
O	541BK	144	19.8	3.9	8.7	503	98	220	B	N	A3
O	591	140	10.4	6.7	11.3	268	173	290	B	N	AO
M	702	150	12.4	7.1	14.6	315	181	370	F	N(H)	AO
M	703	190	14.6	7.1	14.6	372	181	370	F	N(H)	AO
M	712	150	12.4	7.1	14.6	315	181	370	B	N(H)	AO
M	713	190	14.6	7.1	14.6	372	181	370	B	N(H)	AO
M	721	150	14.3	6.9	10.2	364	176	260	F	N(H)	AO
M	722	190	16.6	6.9	10.2	422	176	260	F	N(H)	AO
M	732	150	14.3	6.9	9.6	364	176	243	B	N(H)	AO
M	733	190	16.6	6.9	9.6	422	176	243	B	N(H)	AO



**LINCON BATTERIES** is a family run company that has been in the battery business since 1908 and has been manufacturing batteries in Leigh-on-Sea for over 60 years. All our batteries are available dry charged, making them convenient for export. They can be despatched via carrier anywhere in the UK mainland with an acid pack for instant charging and performance.

The quality of our product is something in which everyone at LINCON takes a personal pride. Our long-serving, highly experienced staff, have a genuine concern for every stage of production.

Lincon Batteries Ltd, Faraday Works, Faraday Road, Leigh-on-Sea, Essex. SS9 5JU  
 Tel: 01702 528711/525374 Fax: 01702 421362  
 Email: [info@lincon.co.uk](mailto:info@lincon.co.uk) Website: [www.lincon.co.uk](http://www.lincon.co.uk)



All specifications and illustrations are approximate and not binding, and subject to alteration without notice.

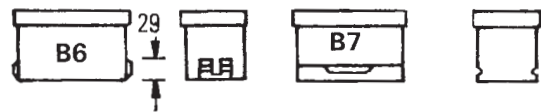
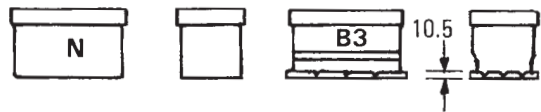
E. & O.E. TH -under Dimensions-( from the base of the container to the top of the terminal) =Total Height

O. Open bar available only.

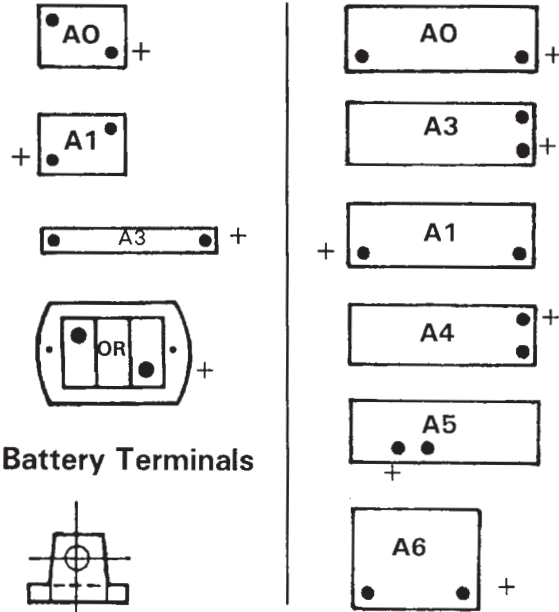
M/O Monolid or Open Bar available. Please specify when ordering



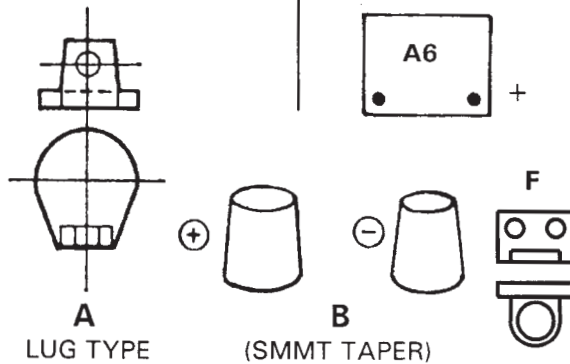
### Hold Down Arrangements and Features



### 6v Battery Layouts 12v



### Battery Terminals



### 12 VOLT BATTERY DIMENSIONS

Battery No	20hr	INCHES			MILLIMETRES			Terminal	Container	Layout
		L	W	TH	L	W	TH			
O 182/15	65	13.1	5.2	8.0	332	133	203	B	B6	A1
O 183/15	65	13.1	5.2	8.1	332	133	207	A	B6	AO
M/O 241	60	12.1	6.7	8.7	307	170	222	B	N	AO
M/O 241/13	68	"	"	"	"	"	"	"	"	"
M/O 242	60	"	"	"	"	"	"	B	N	A1
M/O 242/13	68	"	"	"	"	"	"	"	"	"
O 241L	45	12.1	6.7	7.8	307	170	198	B	N	AO
O 241/13L	50	"	"	"	"	"	"	"	"	"
O 242L	45	12.1	6.7	7.8	307	170	198	B	N	A1
O 242/13L	50	"	"	"	"	"	"	"	"	"
O 279	60	19.3	4.2	8.7	490	108	222	B	N	A5
O 279/13	68	"	"	"	"	"	"	"	"	"
O 279L	50	19.3	4.2	7.8	490	108	198	B	N	A5
O 279L/13	58	"	"	"	"	"	"	"	"	"
O 291/9	54	9.9	6.5	8.8	251	165	224	B	N	A1
O 291	60	"	"	"	"	"	"	"	"	"
O 324R	190	20.2	10.9	9.4	513	278	240	B	N(H)	A4
O 325R	190	20.2	10.9	9.4	513	278	240	B	N(H)	A3
O 333	135	14.0	9.8	9.3	356	250	236	B	N(H)	A6
O 333/21	150	14.0	9.8	9.3	356	250	236	B	N(H)	A6
O 602	85	14.6	6.8	8.5	370	172	216	B	N	A1
O 602/17	95	"	"	"	"	"	"	"	"	"
O 602L	70	14.0	6.8	7.5	355	172	191	B	N	A1
O 602L/17	80	"	"	"	"	"	"	"	"	"
O 612	95	17.5	6.8	9.5	445	174	242	B	N	A1
O 612L	80	16.3	"	7.5	414	"	191	B	N	A1

**When you receive your new battery,** if it is dry remember its service life begins when you put in the acid. Do not fill it more than 1/4" above the elements. Within 2 hours of filling ensure that the battery goes on charge. The battery will be charged when all cells are gassing freely. Periodically recharge during periods of vehicle inactivity.

If you have battery problems..... the best piece of equipment is a hydrometer.

If all the cells have low specific gravity, then probably all the battery needs is recharging.

An overnight trickle charge will not do!

If you have a trickle charger the battery should be left on for 48 hours then stood disconnected for 3 days and the specific gravities of the cells taken again. If one or two cells are much lower in gravity than the others, the battery is possibly faulty.

*Always ensure that you use a charger with a 6 volt facility for 6 volt batteries.*

If the electrolyte is discoloured brown/black in all cells then the battery may have just ended its service life, or the vehicle's charging system is overcharging the battery and has probably damaged it beyond repair if the battery will not hold its charge.

**Observe all safety precautions - charged batteries contain explosive gases.**